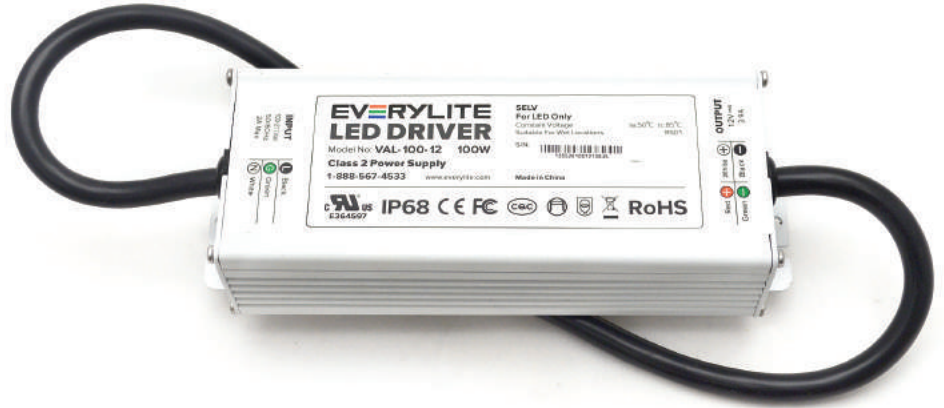


Everylite Datasheet Ver 1.2

VAL-100-12

Dual Output



Description

VAL-100-12 Class 2 LED power supplies are high efficiency and high performance power solutions for LED signage and other outdoor applications by featuring a wide input voltage range 100-277VAC with PFC function, surge, over voltage, over current, over temperature and short circuit protections. With the highest waterproof grade of IP68, they are designed to work under a wide range of environmental conditions with multiple protection functions for wide operating temperatures -30°C to +50°C.

Features

- 100-277VAC nominal input voltage
- IP68 aluminum case with silicone encapsulated designed for indoor or outdoor applications, suitable for dry, damp and wet location
- Built-in PFC function
- Protections: Short circuit; over current; over voltage; short circuit; over temperature with auto recovery
- Compliance to worldwide safety regulations for lighting: UL, CE, GS, CQC, RoHS
- 3 years product warranty plus 1 year labor

Specification

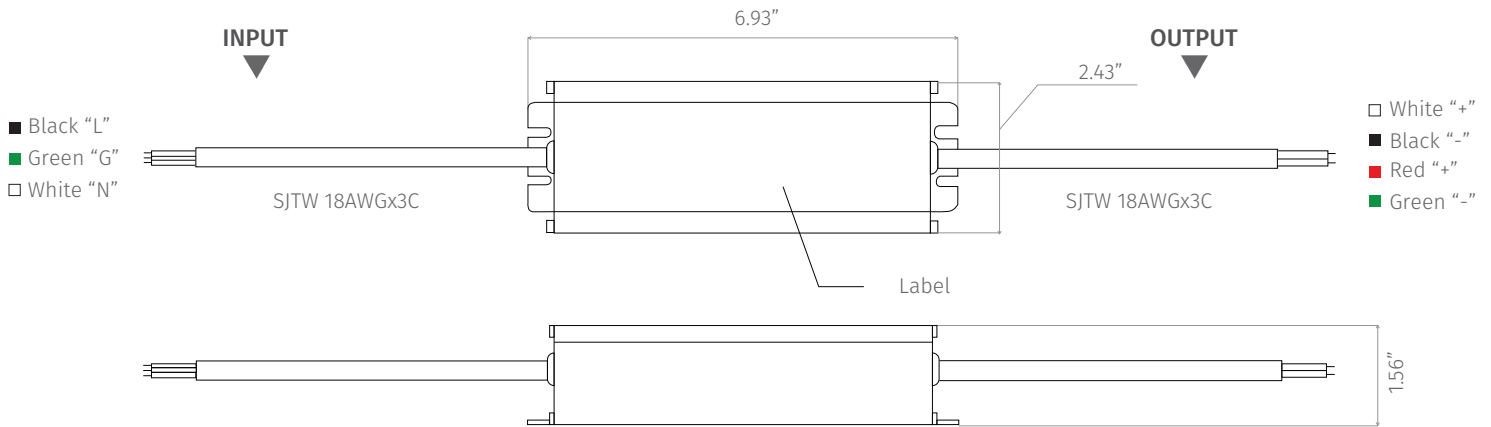
Output Characteristics		Environmental Characteristics		Safety and EMC	
Rated Output Voltage	12V	Vibration	10-500HZ,5G, 30 minutes (for X, Y, Z each axis)	Safety Standard	UIP68, UL8750, UL1310, UL879, IEC61347 - 2.IEC61347 - 1 - 13
Rated Output Current	3.9A per Output		IP Grade		IP68
Rated Output Power	93.6W	Storage Humidity	10-95%RH	Insulation Resistance	100MOhm Max/ 500VDC/ 3S
Output Voltage Accuracy	±3% (11.6-12.3V)	Storage Temperature	-40~+80°C	Grounding Resistance	100mOhm
Output ripple & noise	≤200mV	Working Humidity	20-95%RH (non-condensing)	EMC	FCC part 15classB EN55015
Input Characteristics		Working Temperature	-30~+50°C	Other Characteristics	
Input Voltage Range	90-300VAC	Protective Characteristics		MTBF	≥520Khrs. MIL-HDBK-217F(25°C)
Input Frequency Range	50-60HZ	Over-Temperature Protection	Yes	Size	6.93"x2.43"x1.56"(L*W*H)
Input Current	≤2A (100-240VAC)	Over-Voltage Protection	Yes	Weight	0.75kg
Inrush Current (cold start)	≤100A (230VAC)	Short-Circuit Protection	Yes		
Efficiency	≥85%	Over-Current Protection	Yes		
PF	N/A				

Notes

- Please ensure that the ground wire is properly grounded and ensure it does not come into contact with the neutral wire.
- Please ensure the power supply position has sufficient airflow. Operating temperature must be between -40C to+50C.
- Do not overload the power supply with multiple appliances.
- Power supply operates at high temperature. To avoid injury, do not touch while in use.
- Do not install with power connected or during an electrical disturbance.
- To be installed by a certified electrician. Please contact the supplier with any questions.

Drawing

Unit: inches



Label Drawing

EVERYLITE [®] INPUT 100-277Vac 50/60Hz 2A Max ① Black ② Green ③ White	LED Driver: For LED Only VAL-100-12	• Suitable for Dry, Damp and Wet Locations CCC E364597 UL RoHS CE FC IP68 RS01 SELV	Red (+) Green (-) White (+) Black (-)								
	 Barcode Number	<table border="1"> <tr> <td>TA</td> <td>50°C</td> </tr> <tr> <td>TC</td> <td>85°C</td> </tr> <tr> <td>Output Voltage</td> <td>12V</td> </tr> <tr> <td>Output Power</td> <td>100W</td> </tr> </table>	TA	50°C	TC	85°C	Output Voltage	12V	Output Power	100W	• 1-888-567-4533 • www.everylite.com • Made in China • Date Code: • Contant Voltage • Class 2 Power Supply
TA	50°C										
TC	85°C										
Output Voltage	12V										
Output Power	100W										