

Everylite Datasheet Ver 1.0.1

## DMX Decoder

# C-DEC-5A3

### Description

The DMX 3 Channel Decoder translates DMX signals into a PWM control for LED RGB products and allows flawless integration into new and existing DMX 512 installations. This DMX Decoder features a digital display that is much easier to work with than traditional dip-switches and a secure screw down terminal for strong connections. When used with our DMX Splitter, there is virtually no limit to the number of RGB color-changing strip lights or fixtures for your installation.



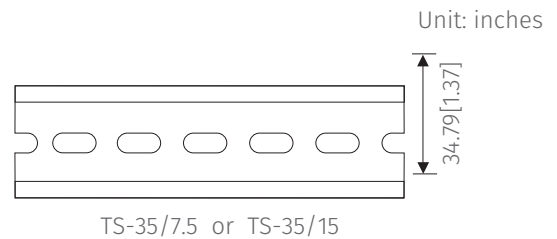
### Features

The C-DEC-5A3 DIN is a 3 channel DMX decoder housed in a DIN rail case for ease of installation.

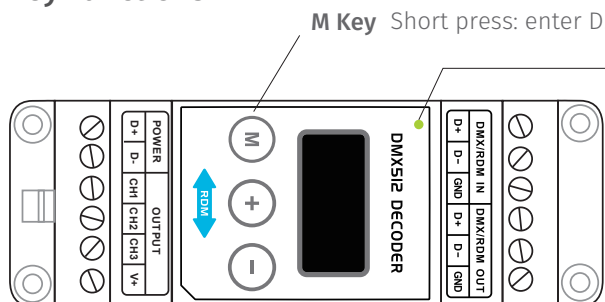
### Specification

Input Signal	RDM, DMX 512
Input Voltage	DC5V ~DC24V
Max Load Current	5Ax3CH Max 15A
Max Output Power	75W/180W/360W(5V/12V/24V)
Dimming Range	0-100%
Frame Rate	Max 850 FPS
Mounting	DIN Rail or Screw
DIN Rail Mounting Size	TS-35/7.5 or TS-35/15
Working Temperature	-22°~131°F
Dimensions(LxWxH)	4.40x1.37x2.63(in)
Package Size(LxWxH)	4.48x1.45x2.75(in)
Weight(G.W)	0.26lbs
Environment	Suitable for indoor or dry locations

### DIN Rail (Sold seperatly)



### Key Functions



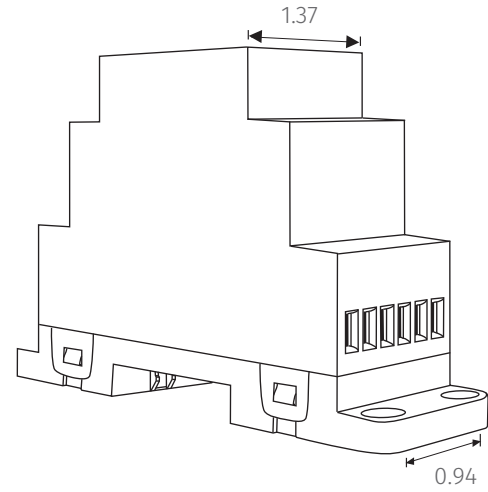
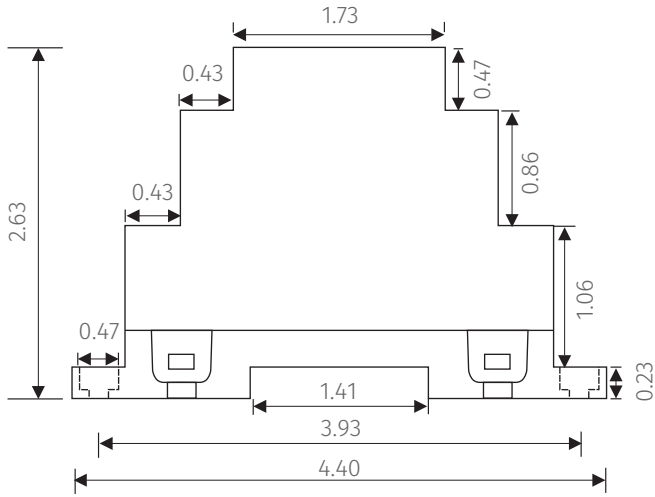
**M Key** Short press: enter DMX decoder mode. Long press: enter self-testing scene mode.

#### Running light

The running lights flash quickly when inputting DMX signal. Flash frequency depends on received frame rate. The running light flashes as usual without DMX input.

**Drawing**

Unit: inches



DIN rail, screw dual-use

**Wiring Diagram**

