

## Install Guide

# EverNeon : RGB



### BEFORE YOU BEGIN

Read these instructions completely and carefully.



#### WARNINGS and CAUTIONS

- All connections must adhere to installation guide lines to maintain IP68 Rating
- Confirm operating voltage and polarity before turning on product
- Suitable for mounting on most surfaces, avoid mounting on highly flammable surfaces
- Only use B270 accessories, use of non standard accessories will void warranty
- Always follow operating instructions, to ensure long life and maintain warranty
- Do not operate product if temperature is above 115°F/45°C, as damage could occur
- Do not operate product if temperature is below 32°F/0°C, as damage could occur

#### RISK OF ELECTRICAL SHOCK

- Turn power off before inspection, installation or removal.
- Properly ground power supply.

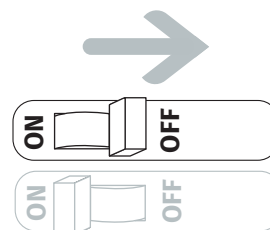
#### RISK OF FIRE

- Use only UL approved wire for input/output connections
- Minimum wire size 18 AWG
- Follow all NEC and local codes.



**Shock Hazard.**  
**May result in serious injury or death.**

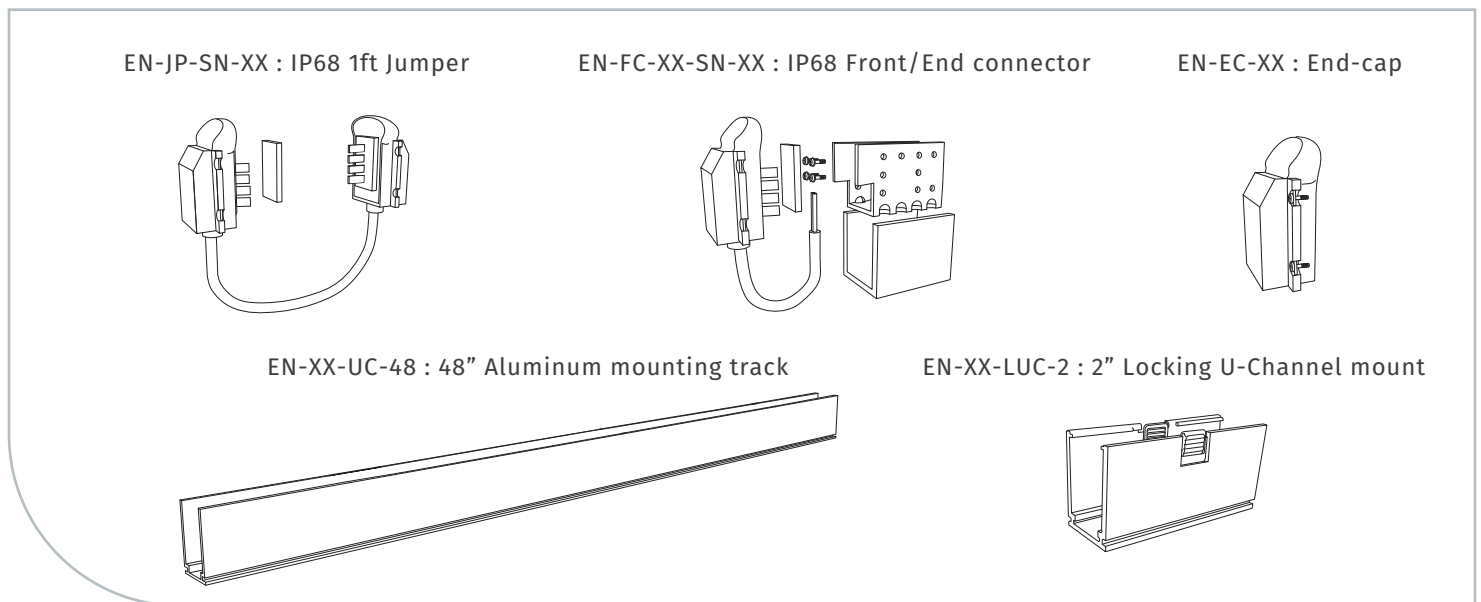
**Turn off power at the circuit breaker  
before installing this product.**



## Features of LED Neon

Model:	EN-ELT-XX-PH-24
Input voltage:	24V DC
Min. cut length:	RGB : 3.94 inches
Max. length of run:	30ft if single feed, 60ft if double-end feed
Min. bend diameter:	4.72" (120mm)

## Components



### Single End Connection Application Accessories Kit

Front Connector Accessories Kit	01 (or 02) Front Connector	1 pc
	Rubber Gasket	1 pc
	Aluminum Mounting Piece	1 pc
	Anti-skidding Clip	1 pc
	Screws	4 pcs
End Cap Accessories Kit	The Tail Plug	1 pc
	Aluminum Mounting Piece	1 pc
	Anti-skidding Clip	1 pc
	Rubber Gasket	1 pc
	Screws	4 pcs

### Both Ends Connection Application Accessories Kit

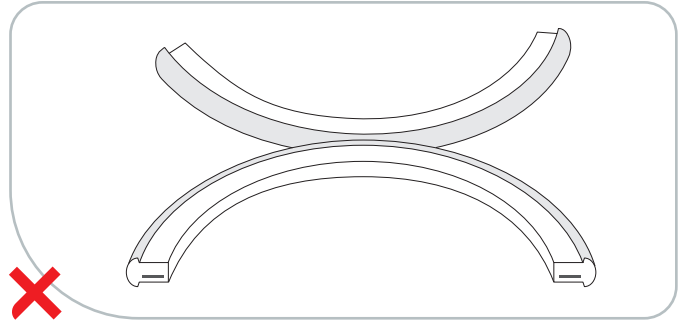
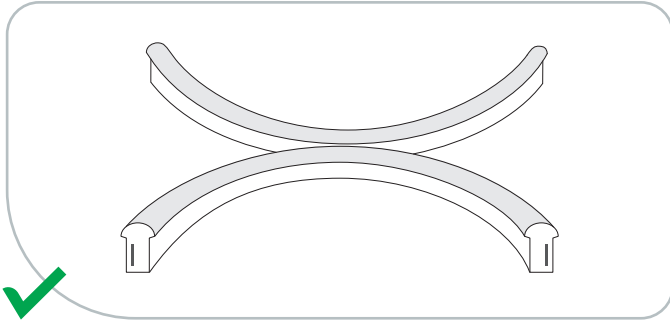
01 Front Connector	1 pc
02 Front Connector	1 pc
Rubber Gasket	2 pcs
Aluminum Mounting Piece	2 pcs
Anti-skidding clip	2 pcs
Screws	8 pcs

### Both Ends Connection Auxiliary Accessories Kit

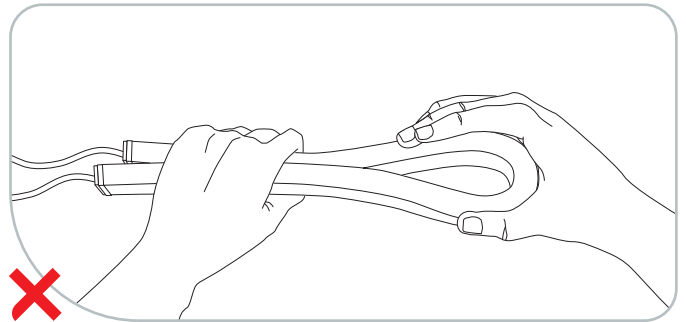
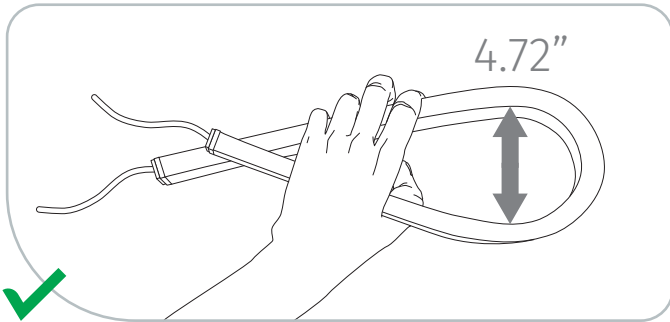
Glue	1 pc
------	------

## Proper Handling of the EverNeon

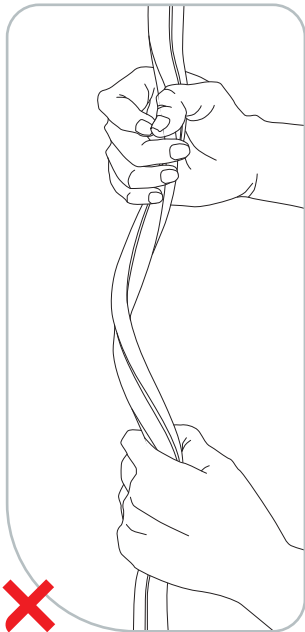
Always bend the product correctly



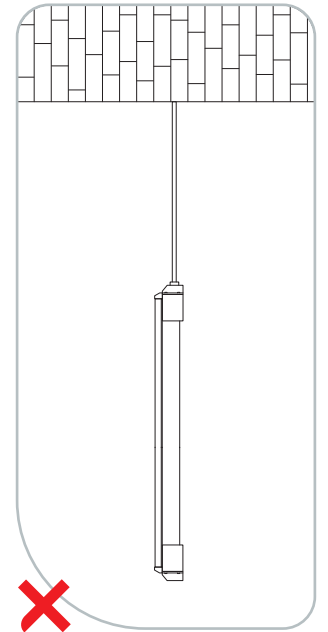
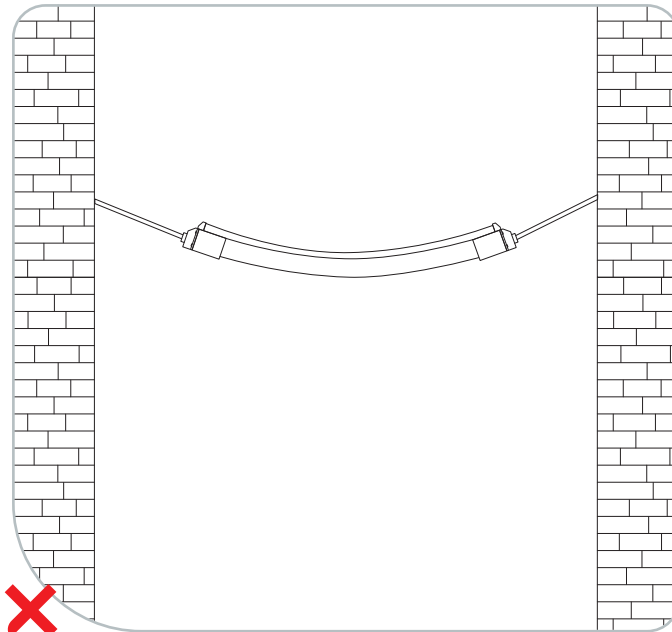
Minimum bend radius 2.36" (4.72" diameter)



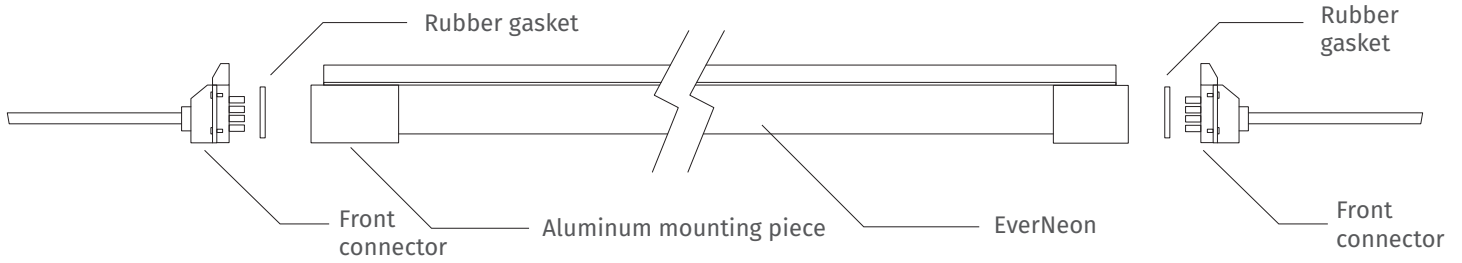
Do not twist the EverNeon



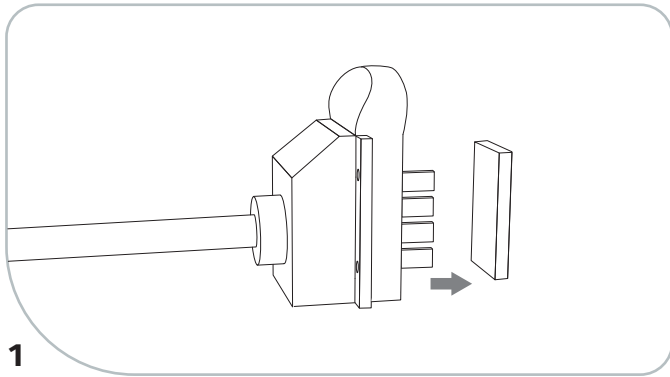
EverNeon must be supported, never hang or suspend product



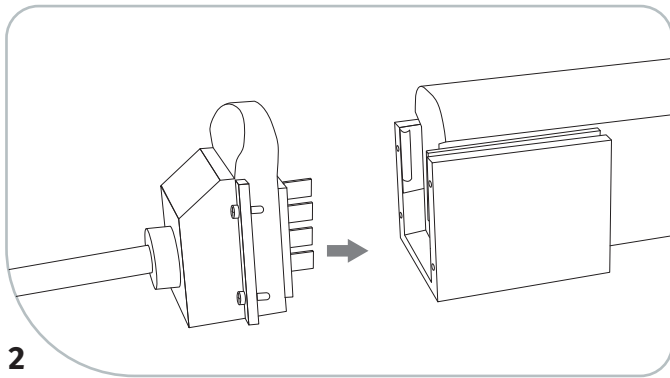
## Front Connector Cap Assembly Diagrams



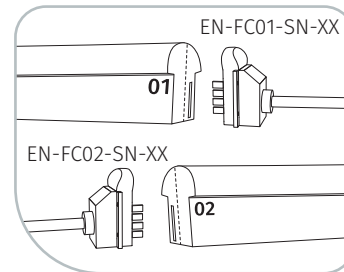
## Front Connector Assembly Instructions



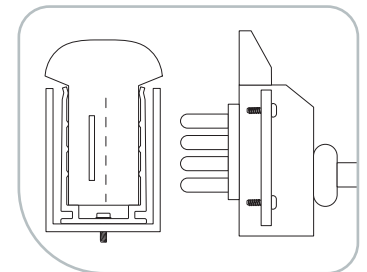
Attach rubber gasket over prongs of the front connector. Apply waterproof electrical grease as necessary making sure to avoid contact with the metal prongs.



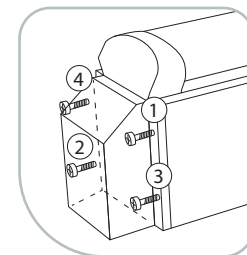
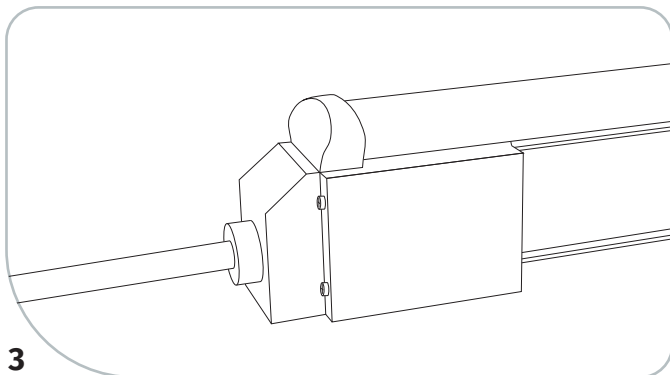
### Choosing right connector



### Inserting metal prongs



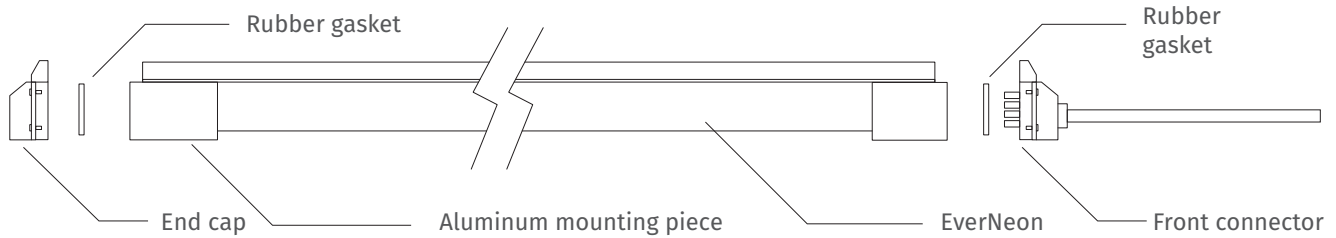
Carefully insert metal prongs behind the led circuit board ensuring a proper connection with the copper contacts.



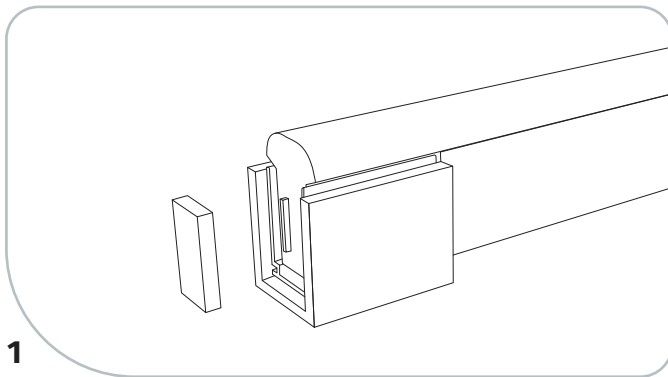
**Caution:** Screws should be tightened in the order shown.

Inspect front connector to ensure proper installation and apply additional waterproof electrical grease as necessary.

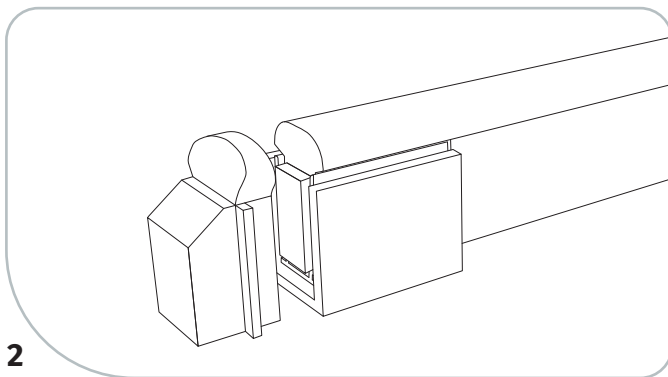
## End Cap Assembly Diagram



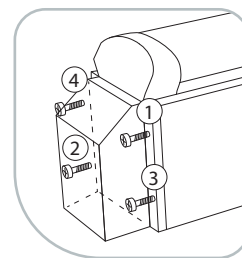
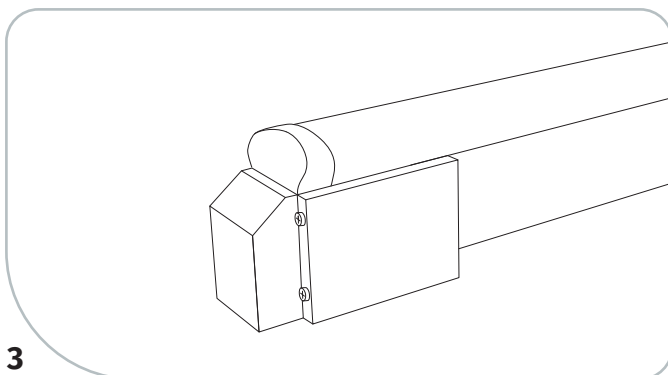
## End Cap Assembly Instructions



With anti-skid clip and aluminum mounting piece in place, insert the rubber gasket on the EverNeon completely covering the opening for the LED and circuit board. Apply waterproof electrical grease as necessary making sure to avoid getting any inside of the EverNeon.



Place end cap over the rubber gasket ensuring it is aligned to achieve a proper seal.

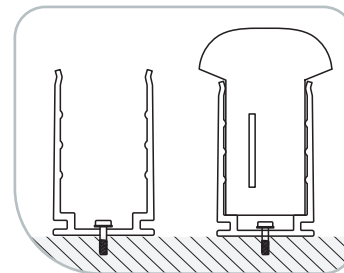
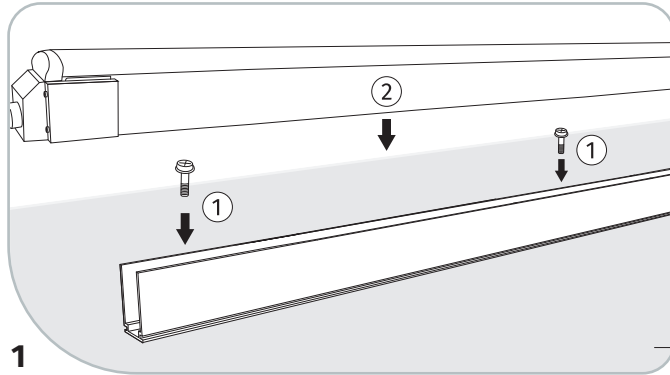


**Caution:** Screws should be tightened in the order shown.

Insert screws and tighten in a crisscross manner to ensure the end cap is seated evenly and to prevent damaging the screws. Inspect end cap to ensure proper installation and apply additional waterproof electrical grease as necessary.

## Straight Application Installation

### Self Locking Aluminum U-Channel



**Common Aluminum u-channel**

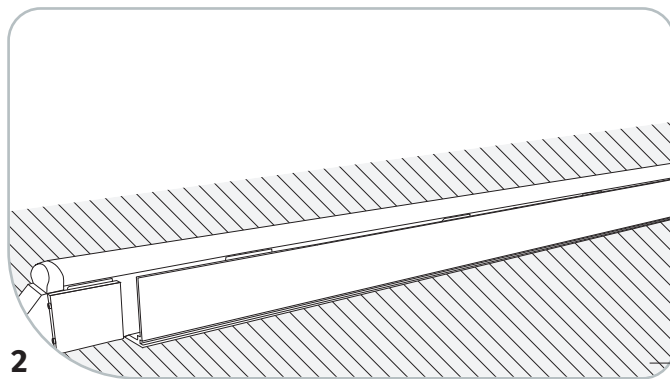
① Securely mount aluminum u-channel in place utilizing appropriate fasteners.

② EverNeon fits directly into u-channel holding it into place

• Mounting Surface

Secure anti-skid clips on EverNeon strip.

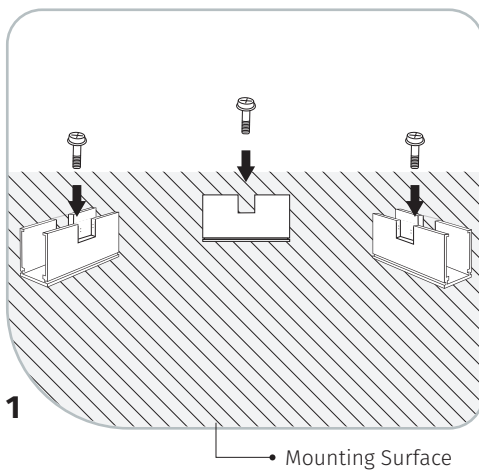
• Mounting Surface



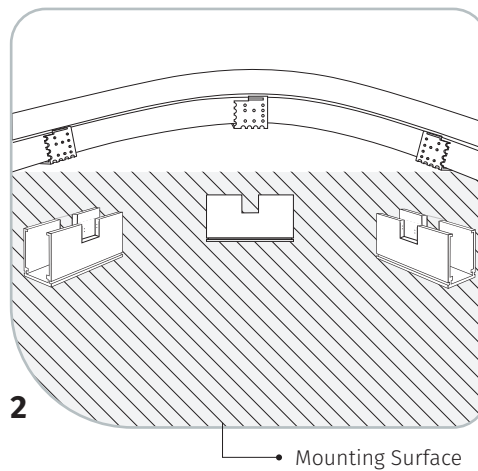
Insert EverNeon into aluminum mounting track to hold it in place.

• Mounting Surface

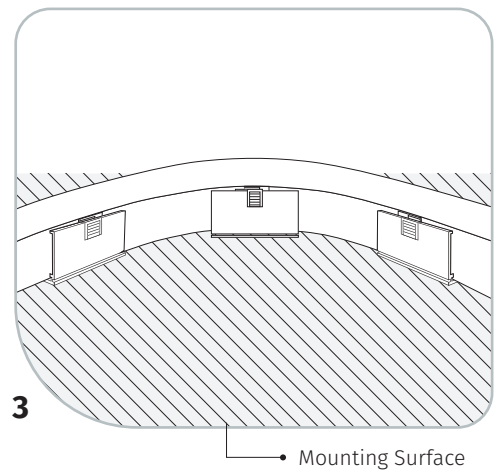
## Curve Application Installation



Securely mount 2" aluminum piece into place using appropriate fasteners.



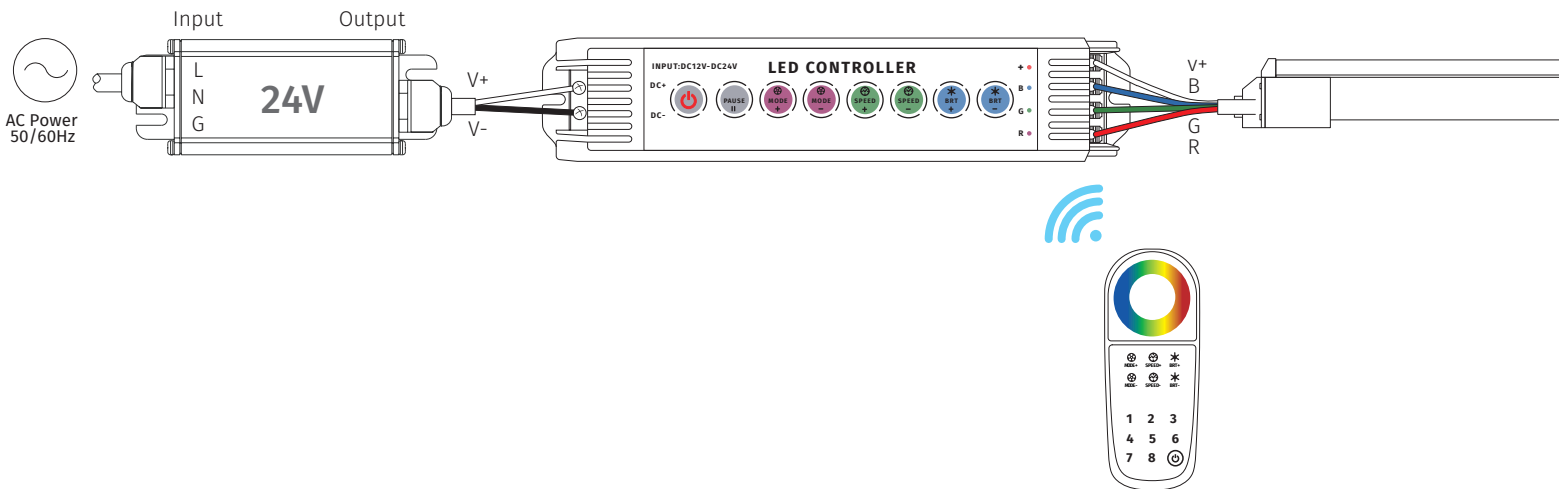
Mount anti-skidding clip onto EverNeon making sure to properly align with aluminum piece.



Insert EverNeon into the locking u-channel, making sure the anti-skidding clips snap into place.

## System Diagram

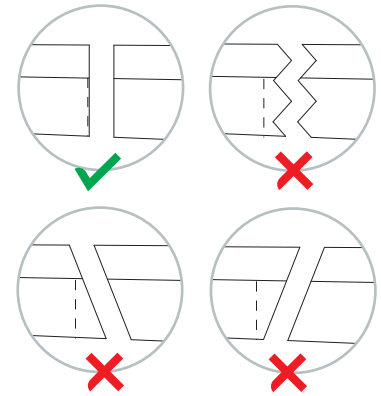
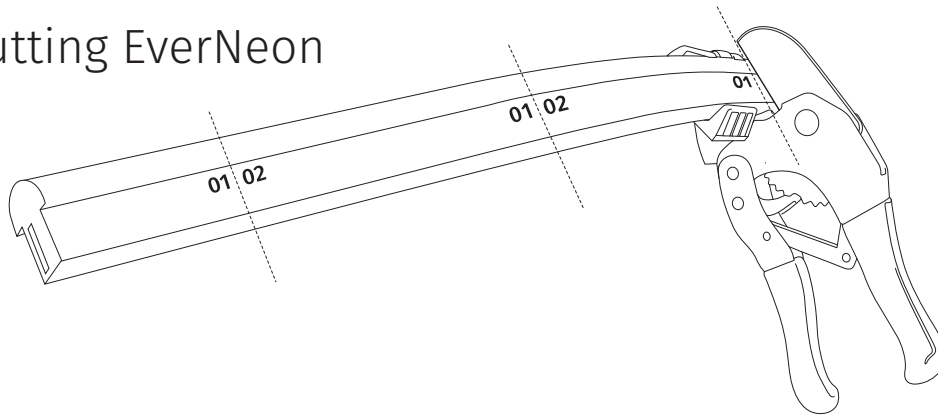
The following diagram is provided as an example system design. Always review each component installation guide for detailed and up-to-date wiring instructions. Install in accordance with NEC and local regulations.



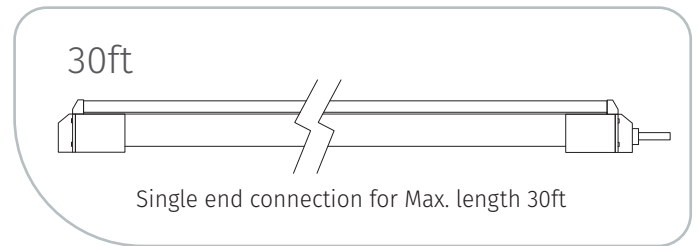
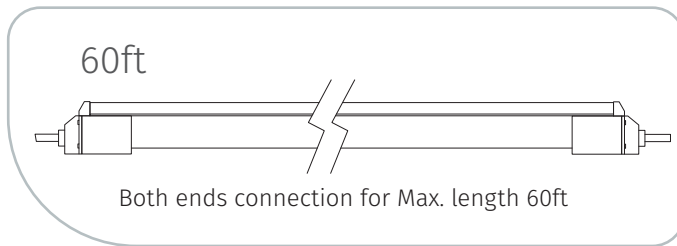
## Troubleshooting

Fixture does not illuminate	See 'System Diagram'. Ensure the system is wired correctly and polarities are correct. Ensure a compatible power supply is installed.
Fixture is slowly flashing	Ensure driver is not overloaded. An overloaded driver will cause the internal auto-reset to trip repeatedly.
Some LEDs are not functional	Ensure fixture has not been bent excessively, causing components and solder to detach from circuit board.
Lights are flickering	Ensure no dimmer is installed. If lights continue to flicker, check for loose connections.

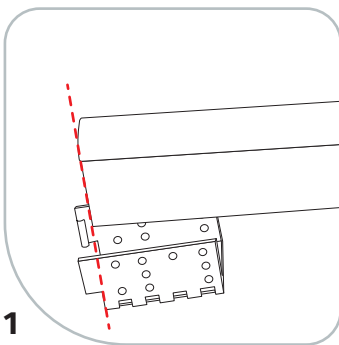
## Cutting EverNeon



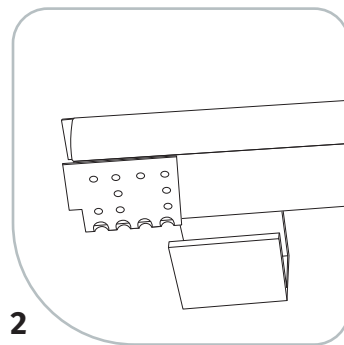
## Choosing connectors by the length of EverNeon



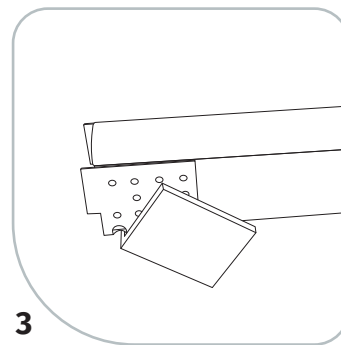
## Front Connector and End Cap Assembly Preparation



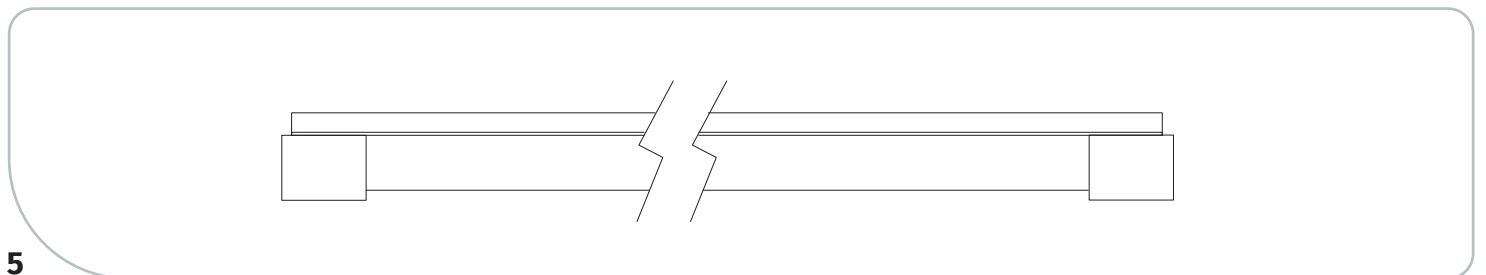
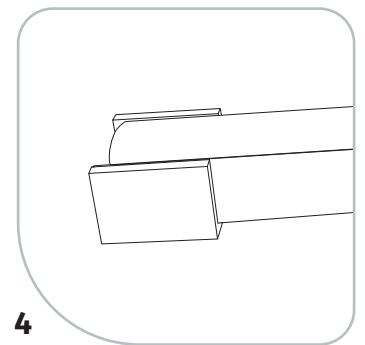
**1**  
Align anti-skidding clip to the edge of the EverNeon lightly squeezing in place until securely mounted on the strip of iFlex



**2**  
Slide aluminum mounting piece over the anti-skid clip



**3**  
Ensure aluminum piece and anti-skid clip is aligned with the edge of the EverNeon to achieve a proper seal.



**5**  
Ensure both ends are sealed using an end cap or front connector to maintain IP68 rating.